

FT5702 Series

Industrial 2-port RS232/422/485 Self-Healing Ring Fiber Modem



Value

- › Self-Healing Ring offers the reliability of uninterrupted serial to Ethernet communications
- › Easy and reliable solution for bridging your serial based equipment to Fast Ethernet networks
- › DNP 3.0 transparency

Features

- › Supports 2 ports configurable RS-232/422/485
- › Provides Self-Healing Ring feature to prevent network interruption
- › Offers single-mode and multi-mode and SC, ST, WDM fiber optic options for both LAN ports
- › Equipped two terminal block power inputs ensure the continuous electrical stability
- › Supports DNP3.0 protocol transparency
- › Aluminum housing with Panel and DIN-Rail mounting brings more installation flexibility
- › 64KB Memory buffer prevents data loss when temporarily connection fails
- › Informs user by relay output in case of any disconnection
- › Simple Master/Local Configuration by DIP switch selection

Ordering Information

FT5702-2XT 2-port RS-232/422/485 Self-Healing Ring Fiber Modem with 2-port 100BASE-FX

100FX Fiber Options :

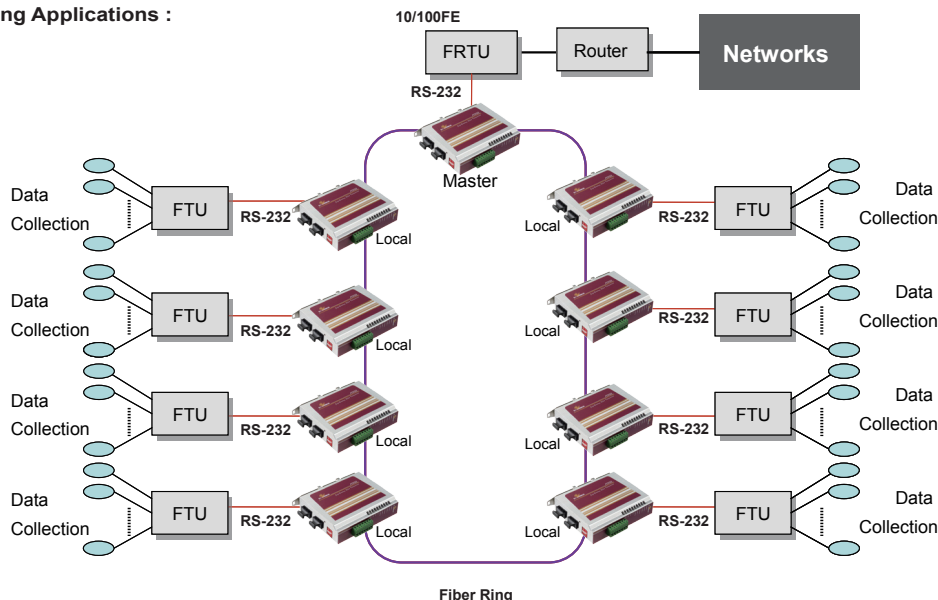
- (X) = 1 : Multi Mode (SC) - 2Km (1310nm)
- 2 : Multi Mode (ST) - 2Km (1310nm)
- A : Single Mode (SC) - 20Km (1310nm)
- B : Single Mode (SC) - 40Km (1310nm)
- H : Single Mode (ST) - 20Km (1310nm)

Power Supply : (Optional)

*Option A - The Terminal Block type external power supplies are not included. Please order the following part numbers:

DR-30-24, DR-60-24, DR-75-24, DR-120-24 or 41-136046-X (X)=1: US, 2: EU, 3: UK, 4: AU, 5: JP

Self-Healing Ring Applications :



Specifications

Technology	
Serial Port	<ul style="list-style-type: none"> • Interface: RS-232/422/485 • Connector: DB9, Male • Line Protection: 15KV ESD
Serial Communication Parameters	<ul style="list-style-type: none"> • Parity: None, Even, Odd, Space, Mark • Data Bits: 5, 6, 7, 8 • Stop Bit: 1, 1.5, 2 • Flow Control: None, RTS/CTS, Xon/Xoff • Speed: 50 bps to 460.8 Kbps
Operation mode	<ul style="list-style-type: none"> • Self-Healing Ring
Management	<ul style="list-style-type: none"> • Console management by Port 1, when setting at Master Mode
Memory Buffer	<ul style="list-style-type: none"> • 64K Bytes

Power	
Input	<ul style="list-style-type: none"> • Input Voltage: 12 to 32VDC (Terminal Block)
Power Consumption	<ul style="list-style-type: none"> • 5.76W Max. 0.24A @ 24VDC
Connector	<ul style="list-style-type: none"> • Terminal Block

Mechanical	
Casing	<ul style="list-style-type: none"> • Aluminum Case
Dimensions	<ul style="list-style-type: none"> • 100mm (W) x 125mm (D) x 30 mm(H) (3.94" (W) x 4.92" (D) x 1.18" (H))
Weight	<ul style="list-style-type: none"> • 0.3kg (0.66 lb)
Installation	<ul style="list-style-type: none"> • DIN-Rail, Panel Mounting

Interface	
Ethernet Port	<ul style="list-style-type: none"> • Interface: 100BASE-FX • Connector: SC, ST Type (100BASE-FX) • Isolation: Built-in 1.5KV magnetic isolation
Serial Port	<ul style="list-style-type: none"> • DB9- RS232/422/485: 2 port
LED Indicators	<ul style="list-style-type: none"> • Per Unit: Power Status (Power 1, Power 2), Status, Master Local/Sub-master, Fault • Per Port: Ethernet: LAN1, LAN2 Serial: Port1-TX/RX, Port2-TX/RX

Environment	
Operating Temperature	<ul style="list-style-type: none"> • -10°C to 60°C (14°F to 140°F), Tested @ -20°C to 70°C (-4°F to 158°F)
Storage Temperature	<ul style="list-style-type: none"> • -20°C to 85°C (-4°F to 185°F)
Ambient Relative Humidity	<ul style="list-style-type: none"> • 5% to 95% non-condensing

Regulatory Approvals	
Emission Compliance	<ul style="list-style-type: none"> • CE Mark Class A • FCC Part 15 Class A • VCCI Class A

Diagrams

Unit: mm

